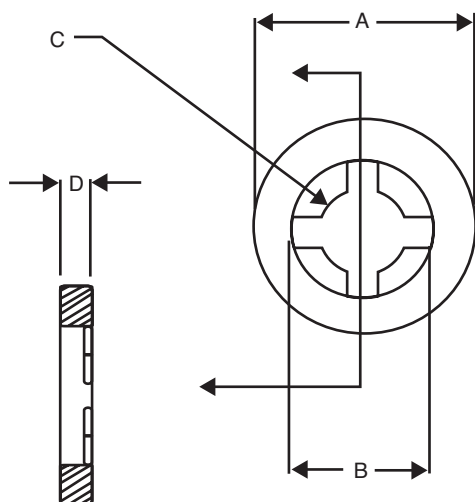


Date Last Revised: 02-19-07


A specially configured I.D. designed to grip the outside of the screw shank. The washer slides on the screw easily, but is retained on the screw. For use in applications requiring pre-assembly of the screw and washer, to reduce final assembly cost.

| Part Number | Dimensions: in. | | | | |
|-------------|-----------------|-------|-------|-------|-------|
| | Description | A | B | C | D |
| 561-04032 | FWRT 4-032 | 0.266 | 0.156 | 0.102 | 0.032 |
| 561-04062 | FWRT 4-062 | 0.266 | 0.156 | 0.102 | 0.062 |
| 561-06032 | FWRT 6-032 | 0.328 | 0.198 | 0.128 | 0.032 |
| 561-06062 | FWRT 6-062 | 0.328 | 0.198 | 0.128 | 0.062 |
| 561-08032 | FWRT 8-032 | 0.391 | 0.235 | 0.152 | 0.032 |
| 561-10032 | FWRT 10-032 | 0.453 | 0.277 | 0.177 | 0.032 |
| 561-10062 | FWRT 10-062 | 0.453 | 0.277 | 0.177 | 0.062 |